

## Specification of: REM 11-0200-2W-07

### High performance Centrifugal fan Nicotra Gebhardt rotavent with external HIGH EFFICIENCY motor in efficiency class IE 2 (IEC 60034-30)

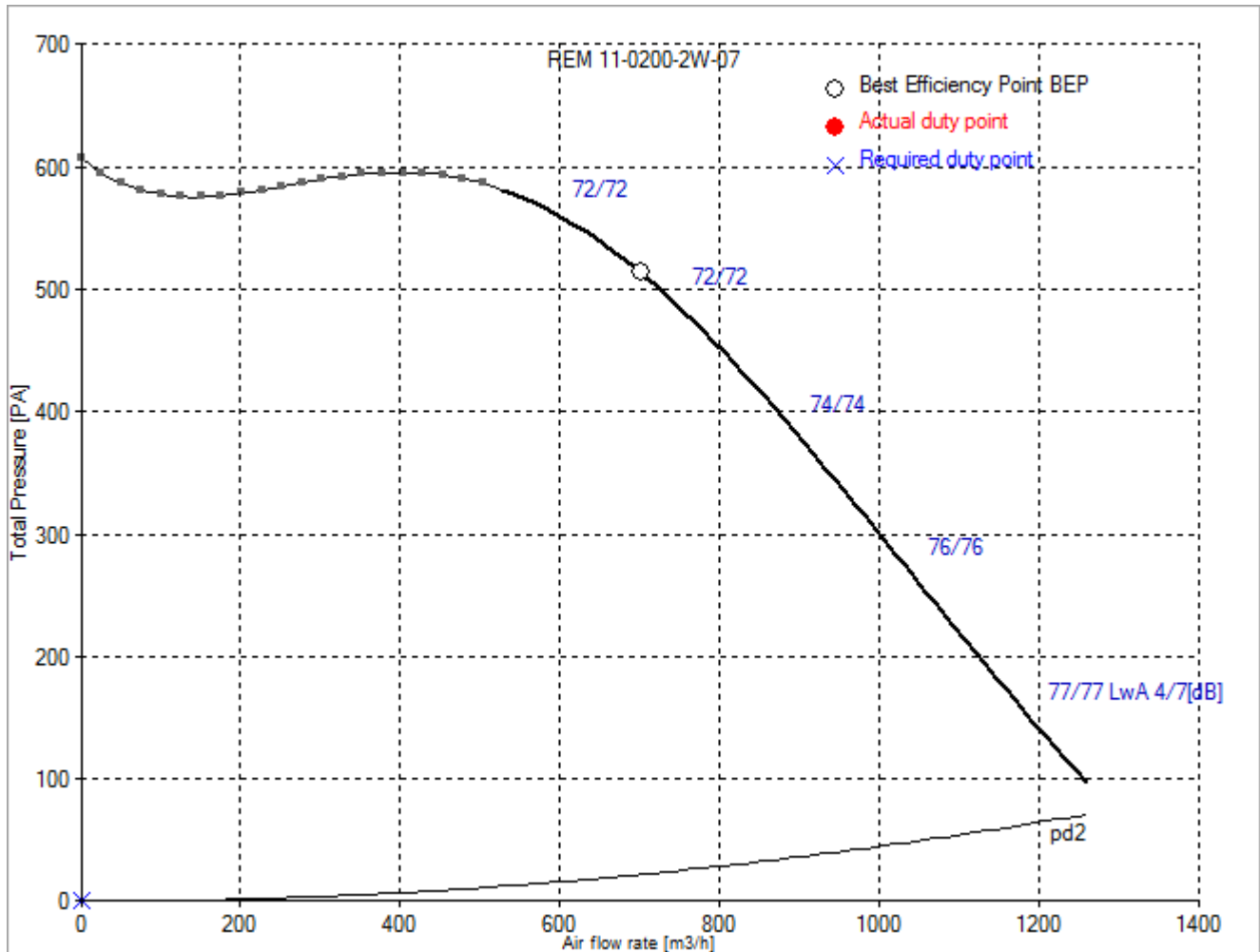
Single inlet with direct drive. Lap-jointed scroll housing made from galvanised steel sheet, without pedestal for vertical or horizontal mounting. centrifugal impeller with 11 backward curved blades, degreased, ironphoshated and painted Motor B5, mounted outside the airstream. Impeller and shaft statically and dynamically balanced in accordance with DIN ISO 21940-11, completely maintenance free. The motor is equipped with PTC Thermistors as a standard. Three phase 400 V, 50 Hz, single speed.

### Technical data of the fan: REM 11-0200-2W-07

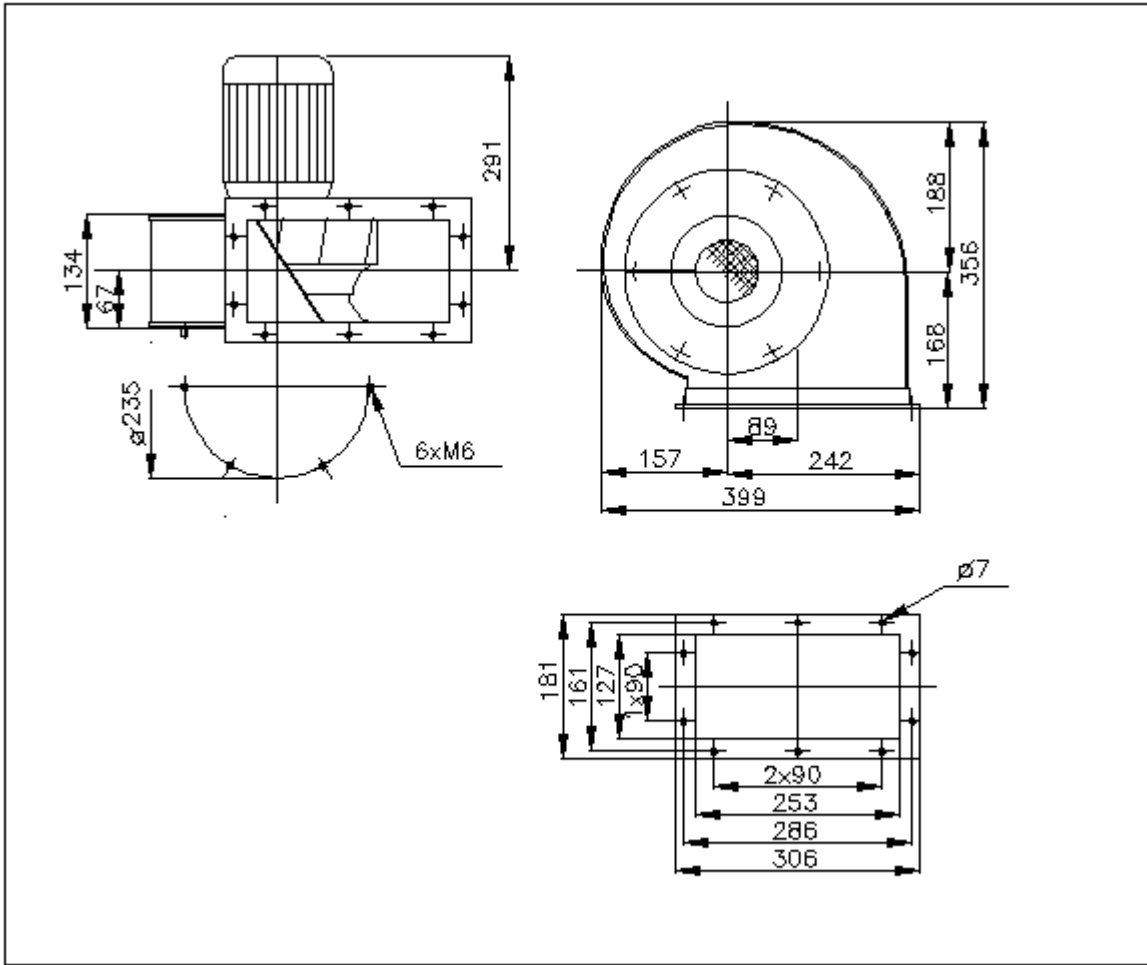
[Does not meet the ErP requirements for 2015](#)

Description	Value Dimension
<b>Specified duty point</b>	
<b>Actual duty point</b>	
Installation acc. DIN 24163 Part 1	B
Reference density (Rho1)	1.20 kg/m <sup>3</sup>
Medium temperature (t)	20 C
Fan weight	10 kg
<small>SOUND PRESSURE levels at 1/2/3 m distance can be calculated with free sound propagation approximately by reducing the SOUND POWER level by 11/17/20 dB !</small>	
<b>Rated data</b>	
Phases-Voltage-Frequency	3~230/400-50 V-Hz
Frame size-poles:	71 M / IE2-2
Motor rating (P <sub>N</sub> )	0.37 kW
Rated motor speed (n <sub>N</sub> )	2770 min <sup>-1</sup>
Rated motor current (I <sub>N</sub> )	1,65/0,95 A
<b>operational limits</b>	
Temperature range of conveying medium (t <sub>min</sub> ...t <sub>max</sub> )	-20...60 C

## Fan curve to REM 11-0200-2W-07



Dimensions to REM 11-0200-2W-07



Rotation: RD  
Handing: 90